



CUSTOMIZE YOUR LUMINARE

## STRIPLIT CLASS SPECIFICATION



### Standard Colors

2700K 3000K 3500K  
4000K 5000K

### Standard CRIs

80 - 90

### Module Codes

CONSTANT CURRENT  
**F024CR010303-2780-CC**

CONSTANT VOLTAGE  
**F024CR010303-2780-CV**

Flexible LED module in standard 90 CRI and 3-step MacAdam ellipse. Suitable for Architectural lighting. Available in constant current and constant voltage. Cuttable every 4-inch. Designed, Engineered and Manufactured in the **USA**. Comes with double-sided adhesive 3M 468 tape. **A++** Energy efficiency class. Available in stock and ships in 2 days.





## 1- Module Features

- 5-Year Limited Warranty
- Can be cut at every 4" (101.60mm)
- Low Profile 1.0 mm height including the PCB. Width 0.39 (10 mm)
- LM-80 Tested LEDs by Cree
- Dimmable with Compatible Constant Current Drivers
- 3-Step MacAdam Binning with high temp thermal tape by 3M

## 2- Module Specifications

- Forward Voltage 24VDC  $\pm$  4V, 720mA Max per foot.
- Nominal Efficacy 185 Lm/W, Luminous Flux = 810 Lm/FT at 325mA per foot.
- LED Pitch = 0.50" (12.70mm)
- 24 LEDs/FT
- Min bend radius = 0.50" (12.70mm)
- 2oz Copper, Beam angle: 120°
- Tc 85°C Max
- Beam angel 120 degree
- 20, 30, 40 feet reels available.

## 3- Module Code

CCT	MODULE CODE	CCT	MODULE CODE
2700K	F024CR010303-2780-CC	5000K	F024CR010303-5080-CC
3000K	F024CR010303-3080-CC	6000K	F024CR010303-6080-CC
3500K	F024CR010303-3580-CC	6500K	F024CR010303-6580-CC
4000K	F024CR010303-4080-CC		

*For 90 CRI modules the 80 changes to 90 (e.g. F024CR010303-2780-CC)*



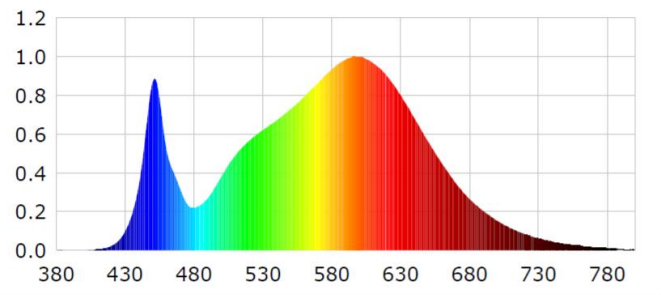
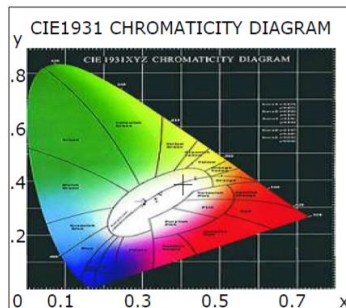
#### 4- Photometric Parameters per Foot

INDEX	CCT	Typical Rating	Mid Rating	Max Rating
Flux	2700K	789 lm	1536 lm	2709 lm
	3000K	822 lm	1596 lm	2814 lm
	3500K	849 lm	1560 lm	2910 lm
	4000K	873 lm	1695 lm	2988 lm
Efficacy	2700K	188 lm/W	176 lm/W	160 lm/W
	3000K	195 lm/W	183 lm/W	167 lm/W
	3500K	202 lm/W	189 lm/W	172 lm/W
	4000K	207 lm/W	194 lm/W	177 lm/W
Forward CURRENT		195 mA	390 mA	720 mA
Forward VOLTAGE		21.57 Vdc	22.37 Vdc	23.47 Vdc
POWER		4.21 W	7.82 W	16.90 W

All calculations are based on using Cree, 80CRI, 3 step binning in 25°C

#### 5 - Light Source Test Report

<b>Product Spec</b>	24VDC, 80CRI, CC	<b>Voltage</b>	22.62 V
<b>Current</b>	0.3251 A	<b>Power</b>	7.35 W
<b>Luminous Flux</b>	1373.53 lm	<b>Efficiency</b>	186.75 lm/W
<b>Radiant Power</b>	4.212 W	<b>EEL</b>	0.07



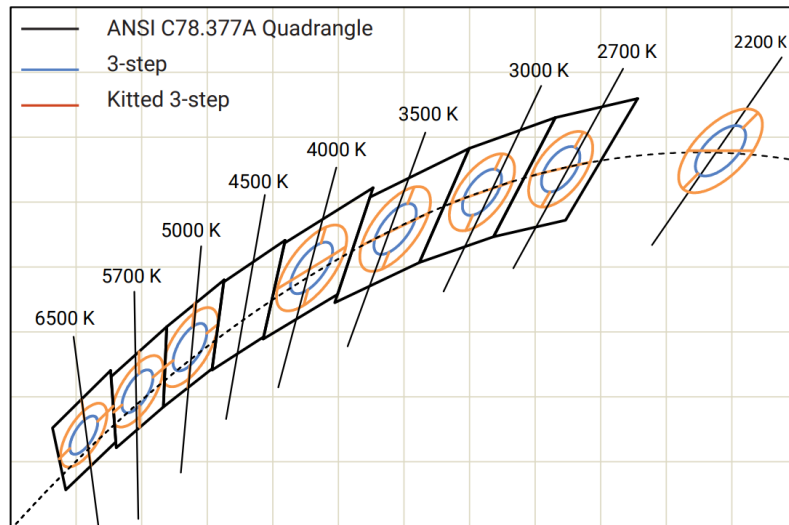
Energy Efficiency Class: A++ (EU 874-2012)



## 6- Colorimetric Parameters

<b>Chromaticity coordinates</b>	x=0.4056 y=0.3904	<b>Color Ratio</b>	R=0.202 G=0.768 B=0.030
<b>Peak Wavelength</b>	596.0nm	<b>Half Bandwidth</b>	144.0nm
<b>Dominant Wavelength</b>	581.0nm	<b>Color Purity</b>	0.389
<b>Color Quality Scale</b>	Qa= 82.6, Qf= 82.6, Qp= 82.9, Qg= 93.3		

## 7- Chromaticity in 25°C



## 8- Module Dimension

<b>Length</b>	Up to 50'
<b>Width</b>	10 mm
<b>LED gap</b>	12.70 mm

Schematic Circuit: 8LED per Series each cuttable section

