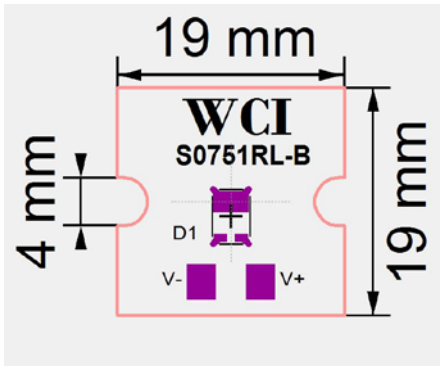


Single Luxeon Rebel LED

Module Code: Q001LU019019



Module Description

- FR4 board
- Suitable for Canopy
- In 2400-6500 color temperature
- Maximum efficiency and better heat dissipation
- Constant current input
- Rated for 350 - 700 mA input
- UL recognized module and ROHS components

| LED | | PCB | | Applications |
|-------------------|---------------|-----------|------------|--------------|
| Brand | Lumileds | Part No. | S0751RL-B | |
| Part Number | LX18-PW27 | Material | FR4 | |
| Number of LED | 1 LED | Size | 19 x 19 mm | |
| Color Temperature | 2400-6500 CCT | Thickness | 1.6 mm | |

| DRIVER | | PERFORMANCE | |
|---------------|------------------|---------------------|--|
| Input Voltage | 3 VDC | Lumen Output | 5000K CCT at 350 mA, 120 Lumens, 5000K CCT at 700 mA, 200 Lumens, |
| Input Current | 350-700mA | Luminous Efficiency | 5000K CCT at 700 mA, 100 Lumens |
| Type | Constant Current | Board Wattage | 1 W at 350 mA 2 W at 700 mA |

